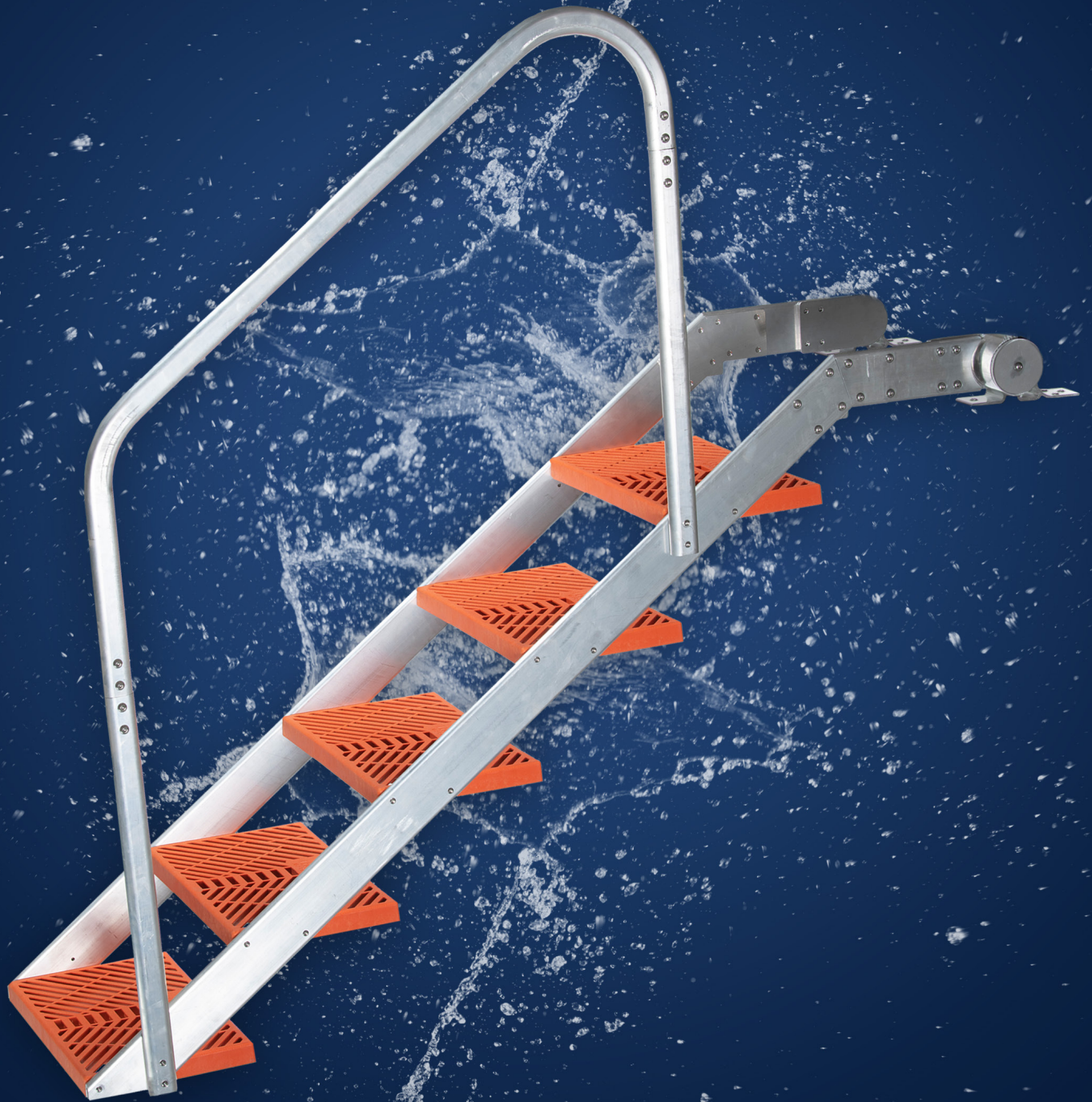


Kroeger Marine
LakeEze™ Ladder
Assembly Instructions



HAND-CRAFTED IN THE USA

Thank You For Your Purchase!

Our focus at Kroeger Marine has been simple—to build the highest quality, handcrafted lake products on the market. Our innovative solutions deliver both form and function, a fine balance between design and first-class aesthetics. Every Kroeger product is designed with you in mind.

We hope you enjoy your LakeEze™ Ladder for years to come. - Kroeger Marine

For questions contact us at 864-882-7671 or email dockandrock@kroegermarine.com



Scan the QR code to view our installation tutorial video.

Important Safety Instructions:

- It is recommended that this ladder be assembled by ages 18+.
- Use personal protective equipment (not included) when operating power tools.
- Do not expose power tools to water. Use a GFCI protected power supply when operating near water.
- This ladder contains a spring-assisted lift. Use caution when springs are under tension to avoid injury.
- Ladder must be assembled in the instructed order to prevent injury.

Tools

Tools Included:

- 7/16" Flat Wrench
- 9/16" Socket
- Drill/Impact Socket Adapter
- 5/32" and 7/32" Allen Wrench
- 5/16" Drill

Additional Tools Needed (Not Included):

- Drill with 3/8" Chuck
- Socket/ Ratchet Wrench
- Impact Driver
- Razor Knife
- Pencil
- Measuring Tape

Packing List

Box:

- Long Ladder Side Rail (x2)
- Short Ladder Side Rail (x2)
- Plastic Step (x5)
- Corner Angle Plate (x2)
- Spring Housing (x2)
- Handrail Upright (x2)
- Bent Handrail (x1)
- Inner Handrail Bar (x2)
- Dock Handrail (x2)

Bag A:

- 1/4-20 x 1 3/4" Pan Head Bolt (x18)
- 1/4" Flat Washer (x18)
- 1/4" Brass Lock Nut (x18)

Bag B:

- 3/8-16 x 1 1/4" Pan Head Bolt (x8)
- 3/8-16 x 1" Pan Head Bolt (x16)

Bag C:

- 3/8-16 x 1" Pan Head Bolt (x8)

Bag D:

- 1/4-20 X 2 1/2" Pan Head Bolt (x2)
- 1/4-20 x 3 1/2" Pan Head Bolt (x2)
- 1/4" Flat Washer (x4)
- 1/4" Brass Lock Nut (x4)

Bag E:

- 3/8 x 5" Lag Bolt (x6)
- 3/8 x 1 1/2" Lag Bolt (x6)
- 3/8" Flat Washer (x12)

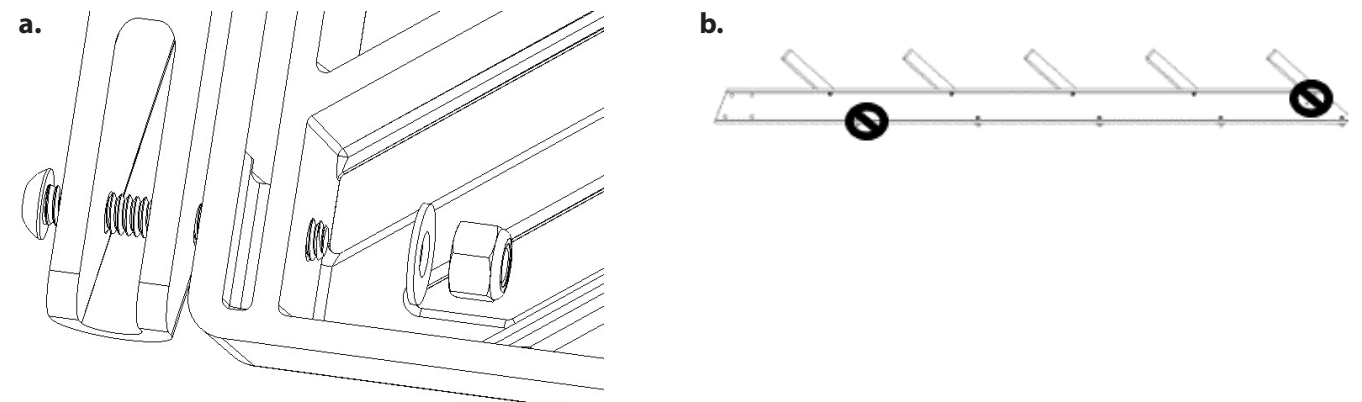
Bag F:

- Lockdown Latch
- Lockdown Catch
- 10 x 1" Wood Screw (x2)
- 1/4-20 x 1 3/4" Pan Head Bolt (x1)

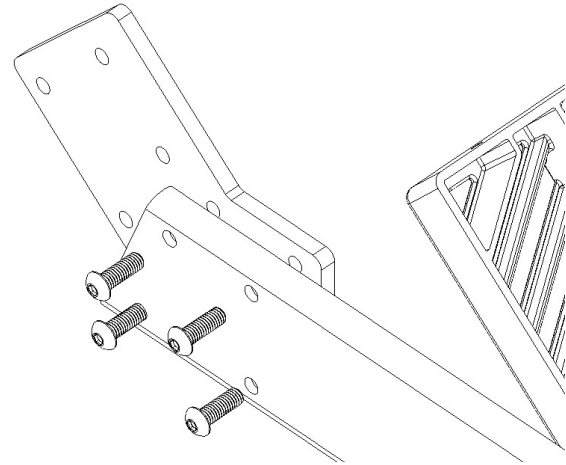
Assembly

1) Arrange rails so that the steps will be installed upside-down (angled cuts are pointing up).

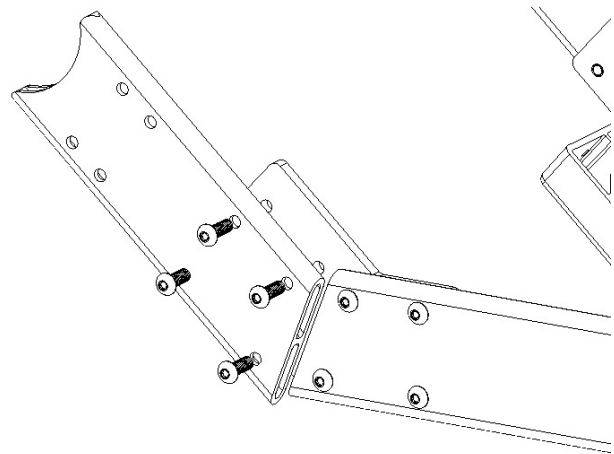
2) Bolt the steps onto the ladder rails using hardware from bag A. (**Note: figure b indicates where handrail bolts (bag D) will go. Leave these holes empty on the side you choose the handrail to go on.**)



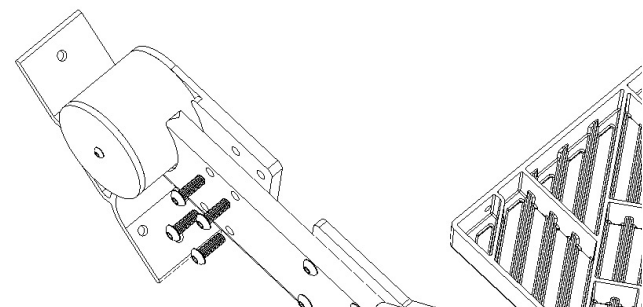
3) Bolt angled plates to the inside of the Long Ladder Side Rails using the 1" bolts from bag B. (**Note: short side of angled plate bolts to the Long Ladder Side Rail.**)



4) Bolt the Short Ladder Side Rails to the other end of the angled plates using the 1" bolts from bag B.

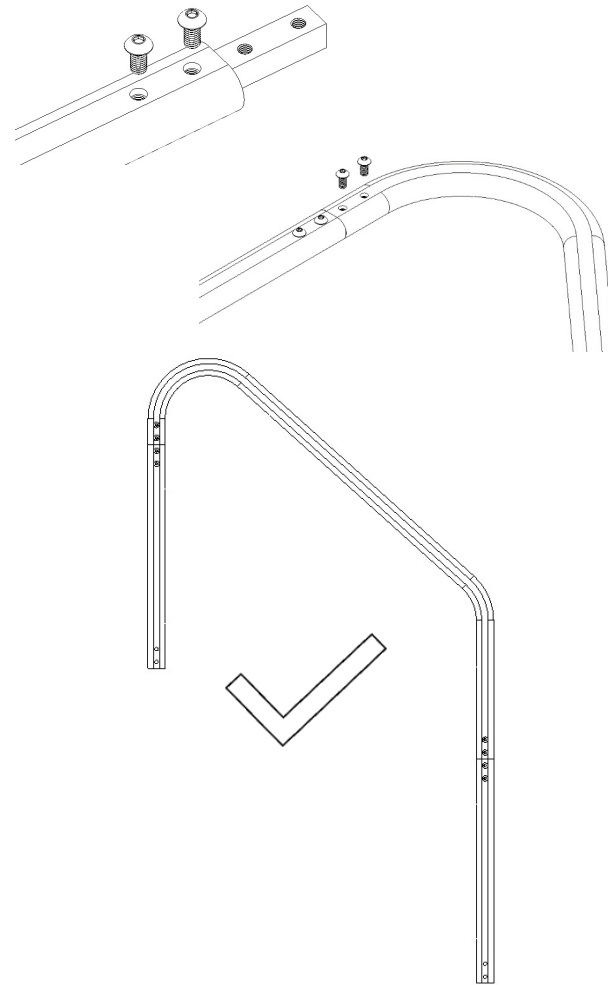


5) Bolt spring housings to ladder using the 1 1/4" bolts from bag B.

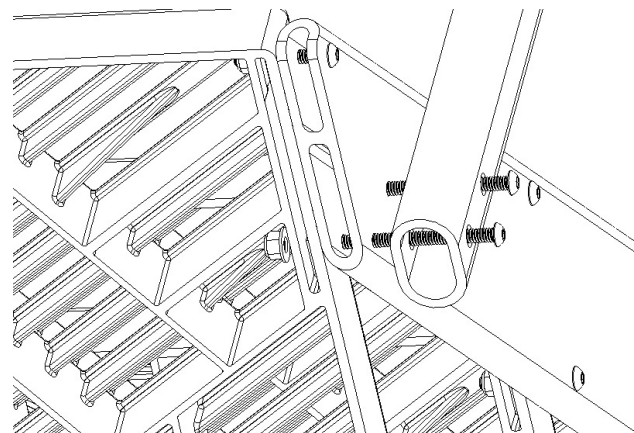


6) Flip ladder over and set aside.

7) Assemble handrail with hardware from bag C.



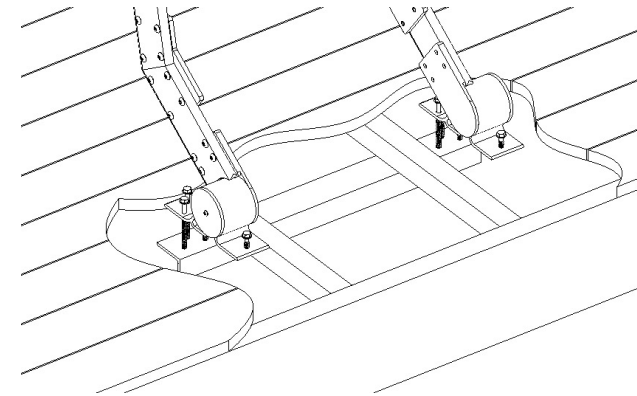
8) Bolt assembled handrail to desired side of ladder using hardware from bag D. Use the longer bolts for the holes that line up with the step.



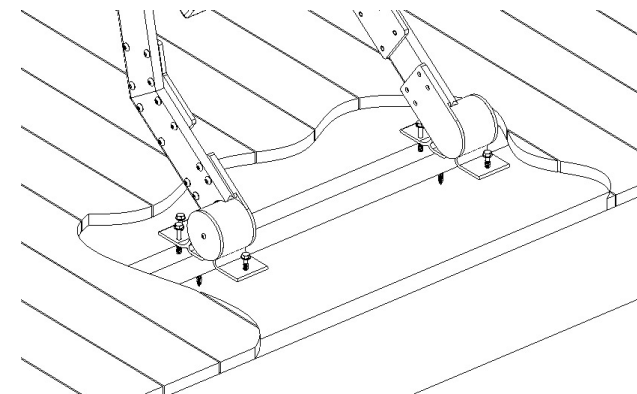
Installation

The images below represent the most frequent installation situations. Cutting your deck boards is not necessary, the cut-out views are for visualization purposes only.

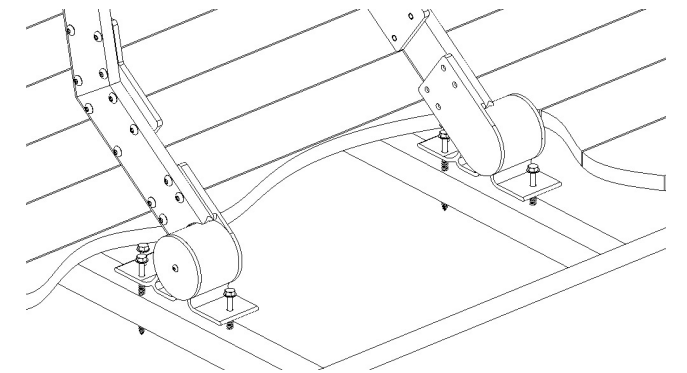
9a) If dock is on 16" centers and the desired ladder location is perpendicular to the deck boards, mount as shown below with the provided backing plate.



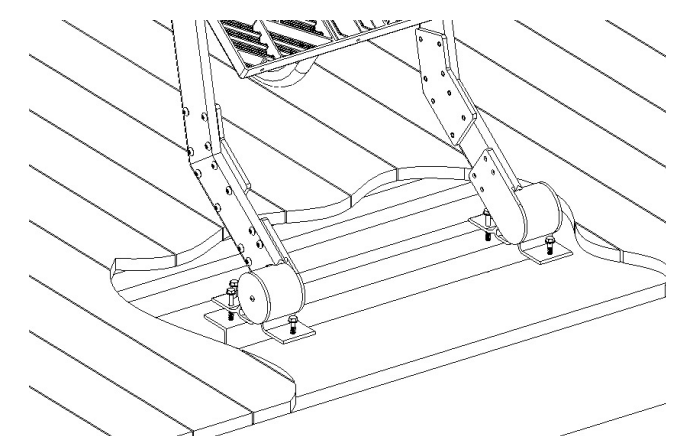
9b) If dock is on 16" centers and the desired ladder location is parallel to the deck boards, mount as shown below directly into the frame.



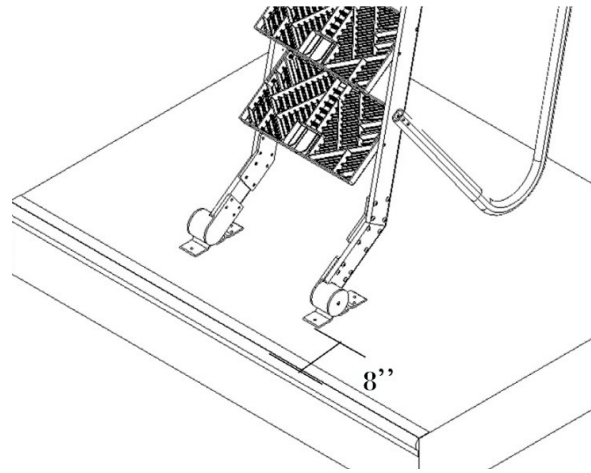
9c) If dock is on 24" centers and the desired ladder location is perpendicular to the deck boards, mount as shown below directly into the frame. Line up such that the maximum number of lags hit the frame.



9d) If dock is on 24" centers and the desired ladder location is parallel to the deck boards, mount as shown below with the provided backing plate.

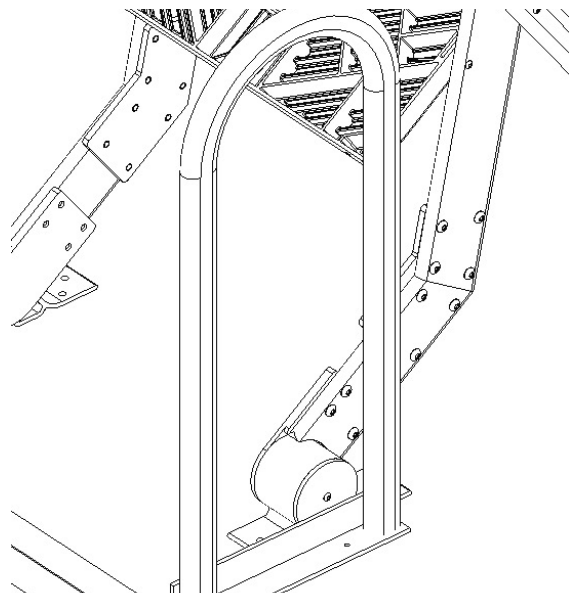


10) Place the assembled ladder at the desired location with the front of the spring housing approximately 8" from the edge of the dock. Mark all holes and remove ladder from positioning.

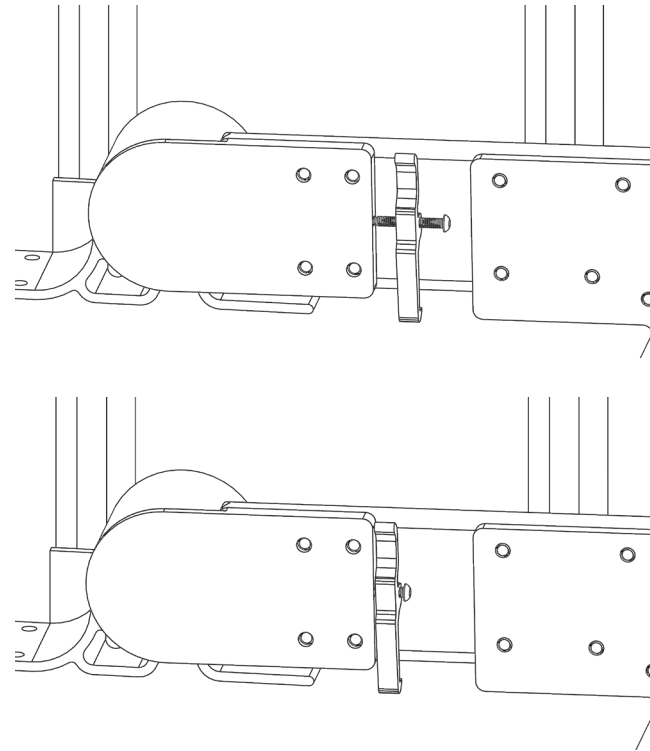


11) Drill all holes using the 5/16" drill bit provided. If using backing plates as indicated in 9a or 9d, remove any boards necessary to gain access to the underside of the dock. Insert lag bolts from bag E into the drilled holes and lag into the provided backing plate using the pre-punched holes or into the dock frame as indicated in 9b or 9c. The front holes get lagged into the decking if using backing plates.

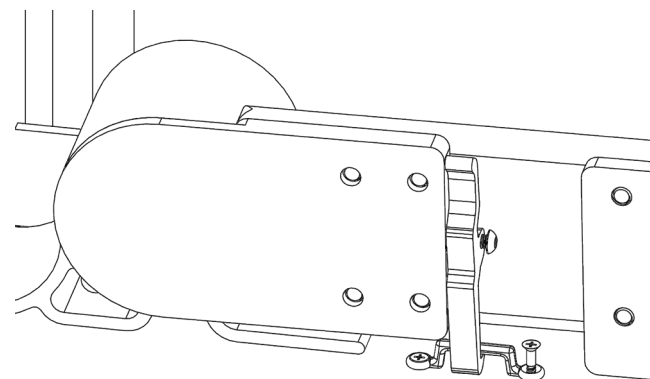
12) Position the handrails at the desired location adjacent to the spring housings. Drill with the 5/16" bit and lag using the 1 1/2" lags from bag E.



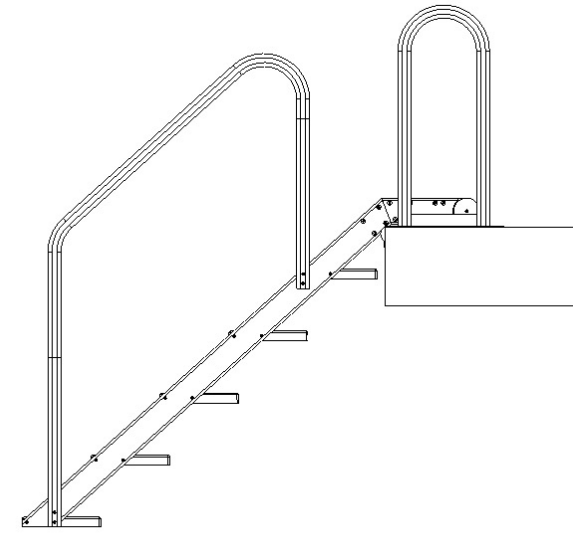
13) Using the 1 3/4" Bolt and latch from bag F, attach the lockdown latch to the spring housing plate on the desired side using the hole on the end of the plate.



14) With the ladder in the down position, set the lockdown catch from bag F over the bottom of the lockdown latch and mark both holes. Lift the ladder into the upright position and insert the wood screws into the lockdown catch.



15) Cycle the ladder to make sure it functions properly and the lockdown latch engages in the down position. Trim bumper if necessary. **(Note you may need to relieve some pressure from the lockdown latch to be able to disengage it.)**



Installation of LakeEze™ Ladder is Complete.

Usage And Maintenance

- When lowering the LakeEze™ Ladder into the water ensure area is clear of swimmers and boat traffic.
- Do not swim in inclement weather.
- Do not exceed capacity of 350 lbs on ladder.
- Do not jump on or from ladder.
- Never run up or down ladder.
- Always use handrail when using ladder to prevent slipping.
- Ladder is not designed for unsupervised children under 5 years old.
- Always keep ladder in the upright position resting on handrail when not in use.
- Be aware of pinch points when raising and lowering ladder.
- Check that all fasteners are tight before using.
- Check for electrical current before using ladder.
- Be aware of toe-catches around ladder mounting points.

Workmanship Warranty

Kroeger Marine Construction, Inc. warrants any new product manufactured against manufacturing defects in material and workmanship when properly assembled, installed, and maintained under normal use and service for a period of one year. Such warranty extends only to the original customer.

To learn more about our innovative products, visit us at kroegermarine.com



2227 Blue Ridge Boulevard
Seneca, SC 29672
dockandrock@kroegermarine.com
864-882-7671

kroegermarine.com

